

Product Description:

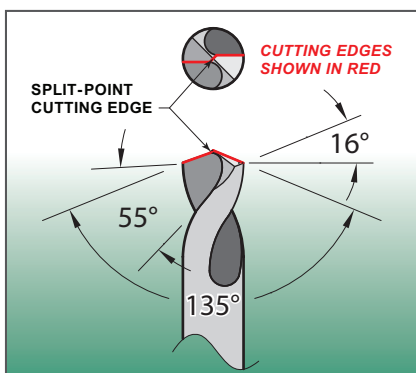
Drilling holes in steel is no easy task. Drill speed, drill pressure and hole cutter design play a huge roll in successful hole cutting. Evergreen Tool Company has the expertise to assist you in choosing the most economical methods.

Evergreen Annular Cutters for Stainless Steel & Other Self-Hardening Metals:

The patented made in the USA Evergreen cutters utilize a three tooth design to concentrate the force on a minimal surface area. This produces a higher cutting pressure per tooth than conventional hole saws. The cutters have an aggressive rake angle, high back clearance and minimal curf (width) to be able to cut underneath the work-hardening surface to softer material. The cutter body is tapered inside and out to minimize friction and heat build-up. These cutters use a patented 4 start thread to provide greater torque transmission through the thread and make the cutter removal much easier with the use of the loosening washer.



5/8" Depth of Cut



135 Degree Split Point



Arbor & 4" Extension



Part No.	Size
610	5/8"
611	11/16"
612	3/4"
613	13/16"
614	7/8"
616	1"
618	1-1/8"
619	1-3/16"
620	1-1/4"
621	1-5/16"
622	1-3/8"
624	1-1/2"
626	1-5/8"
628	1-3/4"
630	1-7/8"

Part No.	Size
632	2"
634	2-1/8"
636	2-1/4"
638	2-3/8"
640	2-1/2"
642	2-5/8"
648	3"
650	3-1/8"
722.5	22.5mm
730.5	30.5mm
607	7/16"
908	1.4"
909	1.8"
910	2.1"
911	2.35"
1146	1-17/64"

Part No.	Description
600	Arbor
705	Lubricant Stick
435	Double Ended Pilot
651	Loosening Washer 3/16"
652	Loosening Washer 3/32"
437	4" Arbor Extension